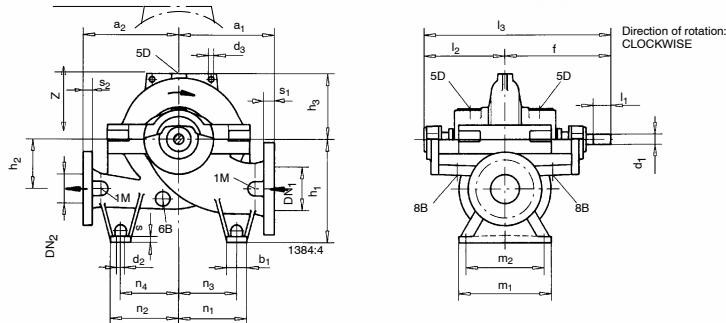
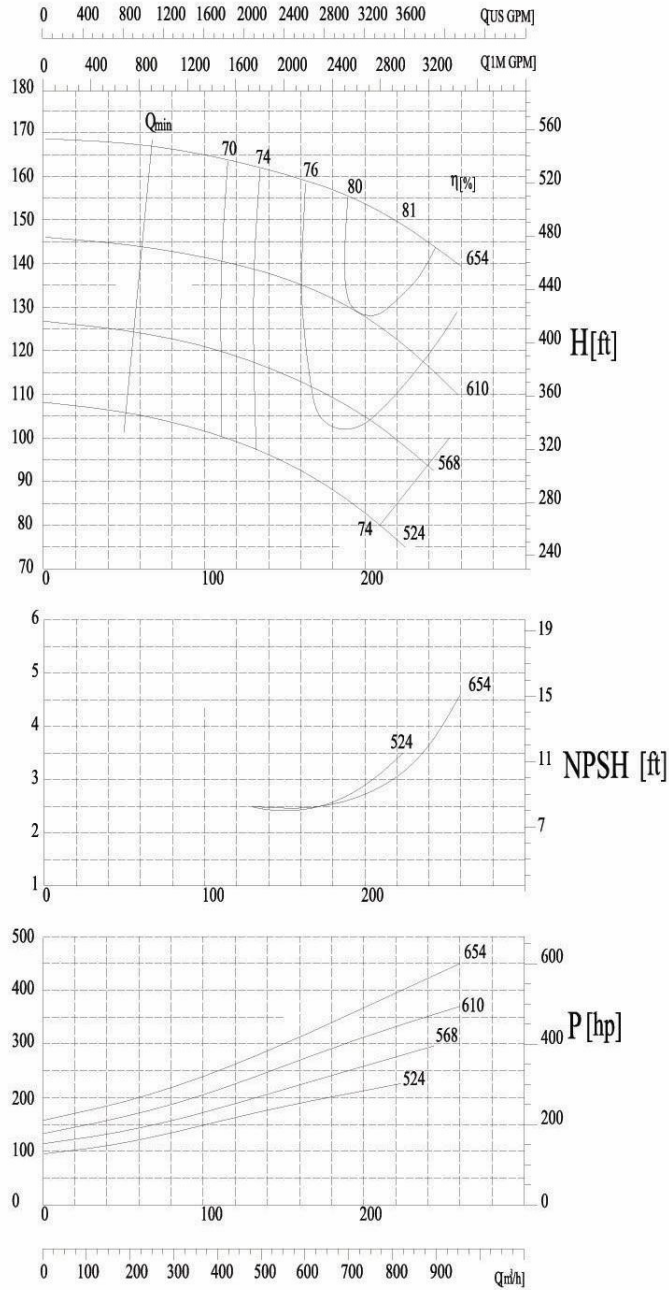


### Pump Model CPS 250-200-670

**Speed 1450rpm**



Pump Size	FLANGE DIMENSIONS				PUMP DIMENSIONS									
	DN1	DN2	s1	s2	a1	a2	d3	f	h1	h2	h3	l2	l3	z
CPS 250-200-670	250	200	47.6	41.3	650	550	24.5	655	600	350	430	464	1119	860
	FOOT DIMENSIONS							SHAFT			PUMP WEIGHT			
	b1	d2	m1	m2	n1	n2	n3	n4	s	d1	L1	(kg)		
	100	22	480	400	400	400	350	350	26	65	140	990		